

MIKROS MX-10

OPTIMIZE | COOL | EVALUATE

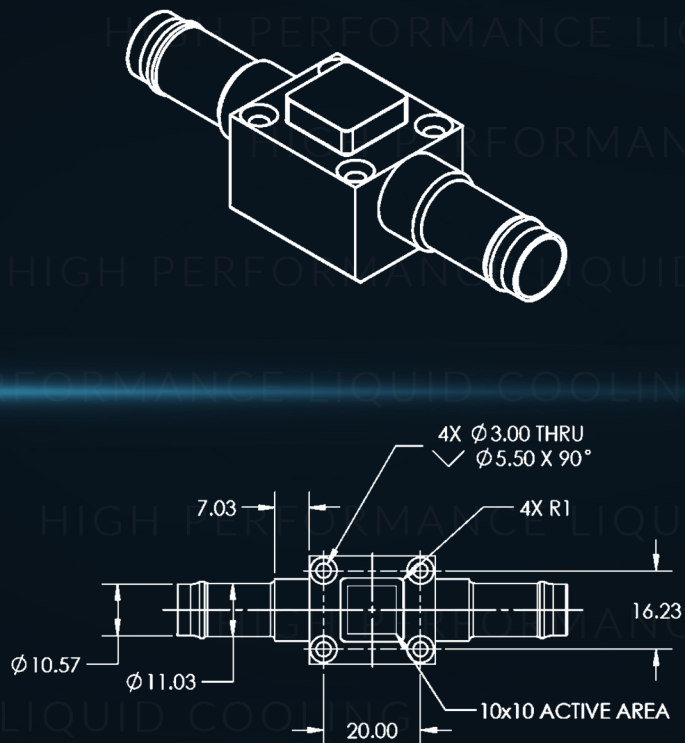
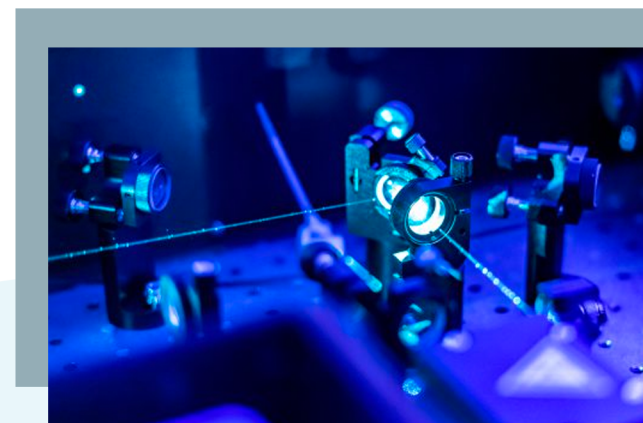
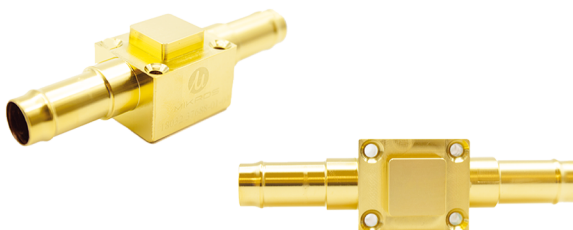
ABOUT THE MX-10

The Mikros MX-10 is a highly-effective cold plate in Mikros' second-tier "Monadnock" Series. It is designed for more demanding thermal applications. It can cool 1000W/cm² with the cold plate surface less than 20°C above the coolant inlet temperature.* Such high cooling capacity is best suited for applications where the heat source also has a

**with water @ 3 LPM*

high conductivity thermal interface to the cold plate, such as soldering or sintering. With a 10x10mm active cooling area, the MX-10 is often used in laser and power electronics applications and is adaptable to a wide variety of custom cooling needs. Gold plating gives this cold plate compatibility with Gold-Tin solder. The MX-10 is also available in all-copper versions.

PRODUCT IMAGES



Monadnock Series Technology

COOLING CAPACITY as high as 60 W/K at 4.5 LPM

LOW PRESSURE DROP near 34 kPa (5 psi) at 1.5 LPM

NAMING SCHEME MX-xyy-z₁z₂

TAILORED COOLING available with 0 degree temp gradients

ACTIVE AREA DIMENSIONS 10 mm x 10 mm

INTEGRATED MOUNTING for M3 screws

xx= x-dimension (barb direction) z₁ = Flow Rate: [H]igh, [L]ow
yy= y-dimension z₂ = Barb Type: [S]traight, [N]inety-Deg

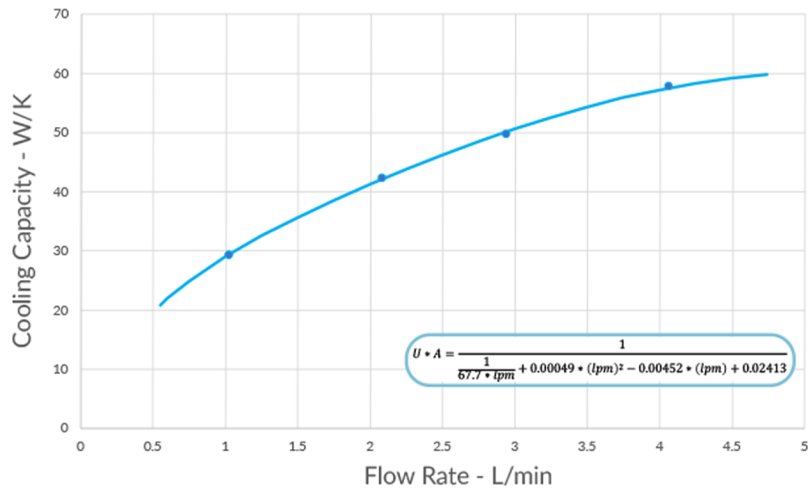


MX-10

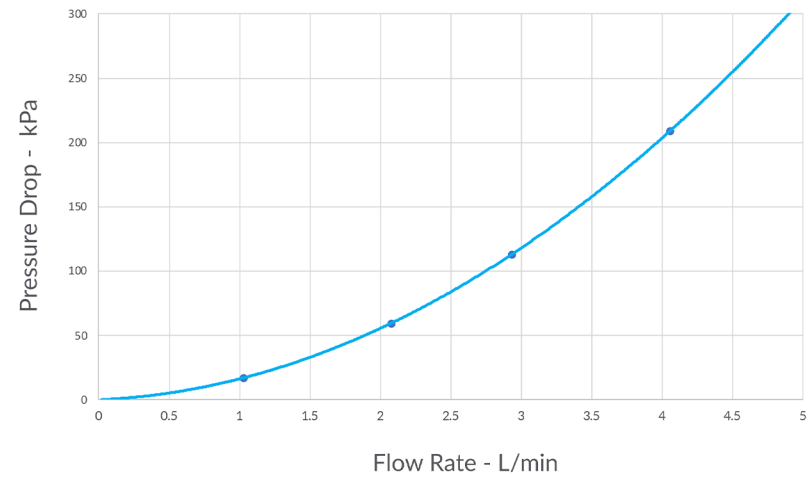


MX-10 Performance Characteristics with Water

Cooling Capacity v. Flow (Water at 25° C inlet)



Pressure Drop v. Flow (Water at 25° C inlet)



Would you like to purchase an MX-10 cold plate?

Follow us on the web www.mikrostechnologies.com for more information about this sytem. Still have questions and want to learn more? Email us at info@mikros.net.