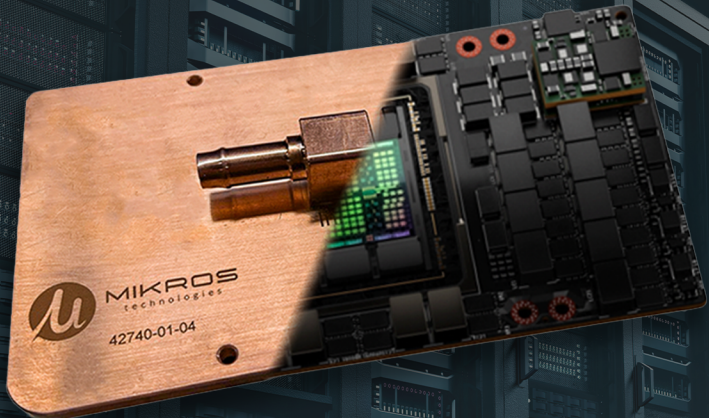


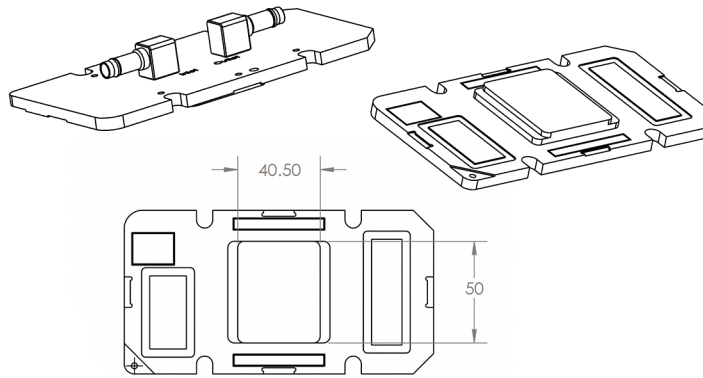
AX-H100



ABOUT THE AX-H100

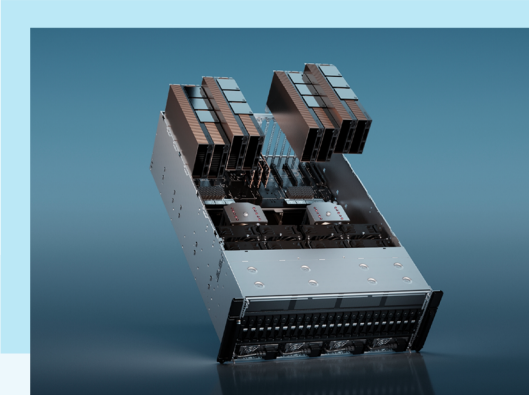
The Mikros AX-H100 is a high performance cold plate designed specifically for the Nvidia H100 GPU. Utilizing our patented-MikroMatrix cooling technology, the AX-H100 combines high cooling capacity with low pressure drop for efficient thermal management of the H100 die as well as its peripheral components.

DESIGN SKETCHES



KEY FEATURES

- High cooling efficiency & low pressure drop
- Custom mount design available
- Helium leak and thermal tested for over 18 years
- Normal flow matrices provide maximum cooling over core die, reduced flow over HBM die to maximize efficiency.
- To order: info@mikros.net



AX-H100 Technology

COOLING CAPACITY for cold plate 50 W/C at 1 LPM
assuming PG30/W70 at 40C

COOLING CAPACITY including TIM & Package 25 W/C at 1 LPM
assuming PG30/W70 at 40C; DowSil TIM

LOW PRESSURE DROP near 21 kPa (3 psi)
at 1 LPM

TAILORED COOLING zoned cooling optimizes flow
between core and HBM die

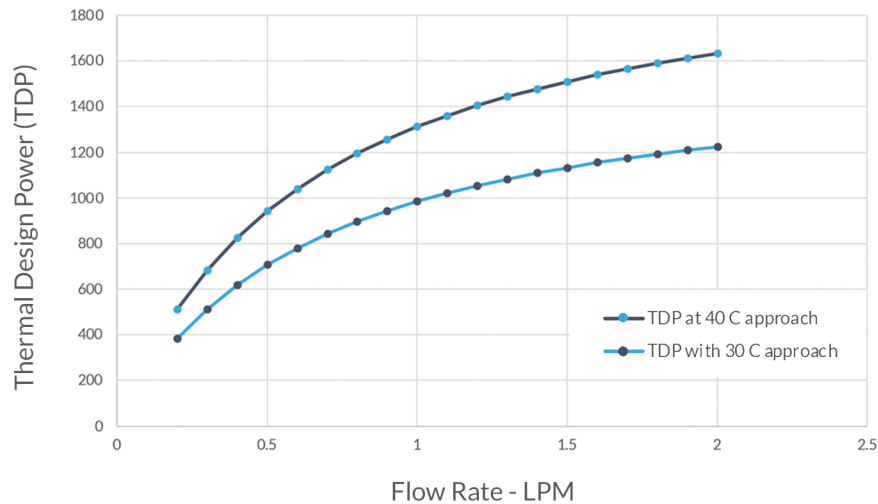
ACTIVE AREA DIMENSIONS 40.5 mm x 50 mm

HIGH COOLING VALUE High heat transfer
effectiveness provides
low cost per Watt dissipated

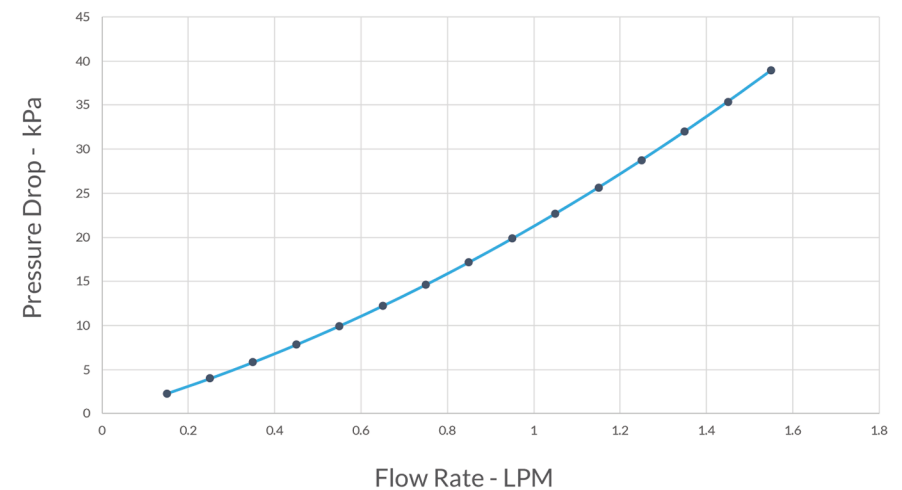


AX-H100 Performance Characteristics with Water

Thermal Design Power v. Flow



Pressure Drop v. Flow (Water at 20° C inlet)



Would you like to purchase an AX-H100 cold plate?

Follow us on the web www.mikrostechologies.com for more information about this system. Still have questions and want to learn more? Email us at info@mikros.net.

For a digital version scan here:

